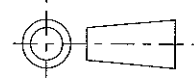


ISS.	DATE	E.C.N.	DESCRIPTION
1	2-Apr-08		FIRST ISSUE
1A	17/03/11	03/11/1291	NOTE CHANGE DIM CHANGE

© 2011 CARCLO PLC  
ALL DIMENSIONS IN mm



# CUSTOMER DRAWING



CARCLO TECHNICAL PLASTICS  
103 BUCKINGHAM AVE, SLOUGH  
SL1 4PF, ENGLAND  
TEL: +44 1753 575011 FAX: +44 1753 811359  
e-mail: design@carclo-optics.com

### GENERAL TOLERANCES (UNLESS STATED)

LINEAR	ANGULAR
X +/- 0.25	X +/- 1°
X.X +/- 0.1	X.X +/- 0.5°
X.XX +/- 0.05	X.XX +/- 0.1°

CUSTOMER

CARCLO

TITLE

ELLIPTICAL BEAM  
10MM SQUARE LED OPTIC

DRAWN

AJD

DATE

2-Apr-08

CHK'D

DATE

APP'D

DATE

SCALE

4:1

COIL PART No.

10415

SIZE

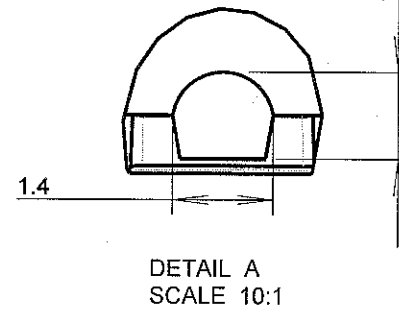
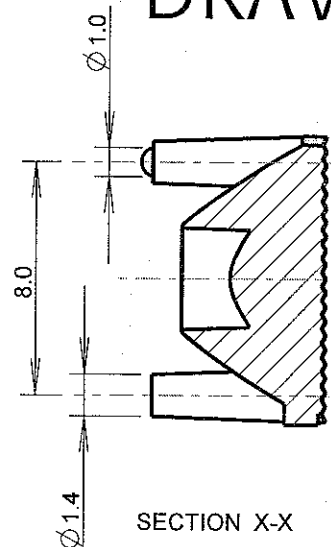
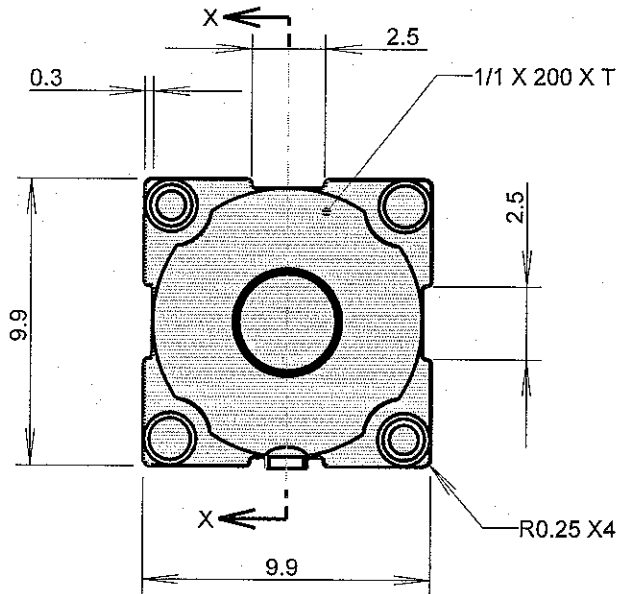
A4

COIL DRG. No.

60518

SHEET

2 OF 3



### NOTES:

1. MATERIAL - POLYCARBONATE
2. INCLUSIONS SPECIFIED TO BS4301

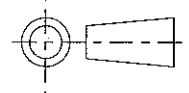


3D VIEW  
SCALE 1:1

SEE DETAIL A

ISS.	DATE	E.C.N.	DESCRIPTION
1	2-Apr-08		FIRST ISSUE
1A	17/03/11	03/11/1291	NOTE CHANGE DIM CHANGE

© 2011 CARCLO PLC  
ALL DIMENSIONS IN mm



CARCLO TECHNICAL PLASTICS  
103 BUCKINGHAM AVE, SLOUGH  
SL1 4PF, ENGLAND  
TEL: +44 1753 575011 FAX: +44 1753 811359  
e-mail: design@carclo-optics.com

PCB GLUE PAD AND ALIGNMENT HOLE  
LAYOUT DIMENSIONS

GENERAL TOLERANCES (UNLESS STATED)

LINEAR	ANGULAR
X +/- 0.25	X +/- 1°
X.X +/- 0.1	X.X +/- 0.5°
X.XX +/- 0.05	X.XX +/- 0.1°

CUSTOMER

CARCLO

TITLE

ELLIPTICAL BEAM  
LED COLLIMATOR 10MM

DRAWN

AJD

DATE

2-Apr-08

CHK'D

DATE

APP'D

DATE

SCALE

5:1

CARCLO PART No.

10415

SIZE

A4

CARCLO DRG. No.

60518

SHEET

3 OF 3

