

SPECIFICATIONS FOR HANGKE **ORANGE** LED

杭科Φ5草帽橙色LED产品规格书



Model : HK5H4UOC

HangZhou HangKe Electronics Co.,LTD.

Http : //www .hkled .com 杭科电子

1. SPECIFICATIONS

(1) Absolute Maximum Ratings

(Ta=25°C)

Item	Symbol	Absolute Maximum Rating	Unit
Forward Current	I _F	30	mA
Pulse Forward Current	I _{FP}	100	mA
Reverse Voltage	V _R	5	V
Power Dissipation	P _D	75	mW
Operating Temperature	T _{opr}	-30 ~ + 85	°C
Storage Temperature	T _{stg}	-40 ~ +100	°C
Soldering Temperature	T _{sld}	265°C for 3sec.	

I_{FP} Conditions : Pulse Width 10msec. and Duty 0.1

(2) Initial Electrical/Optical Characteristics

(I_F=20mA Ta=25°C)

Item	Symbol	Condition	Min.	Typ.	Max.	Unit
Forward Voltage	V _F	I _F =20[mA]	-	2 .0	2 .5	V
Reverse Current	I _R	V _R = 5[V]	-	-	10	μA
Peak Wavelength	λ _P	I _F =20[mA]	-	610	-	nm
Dominant Wavelength	λ _D	I _F =20[mA]	-	605	-	nm

(3) Ranks (I_F=20mA Ta=25°C)

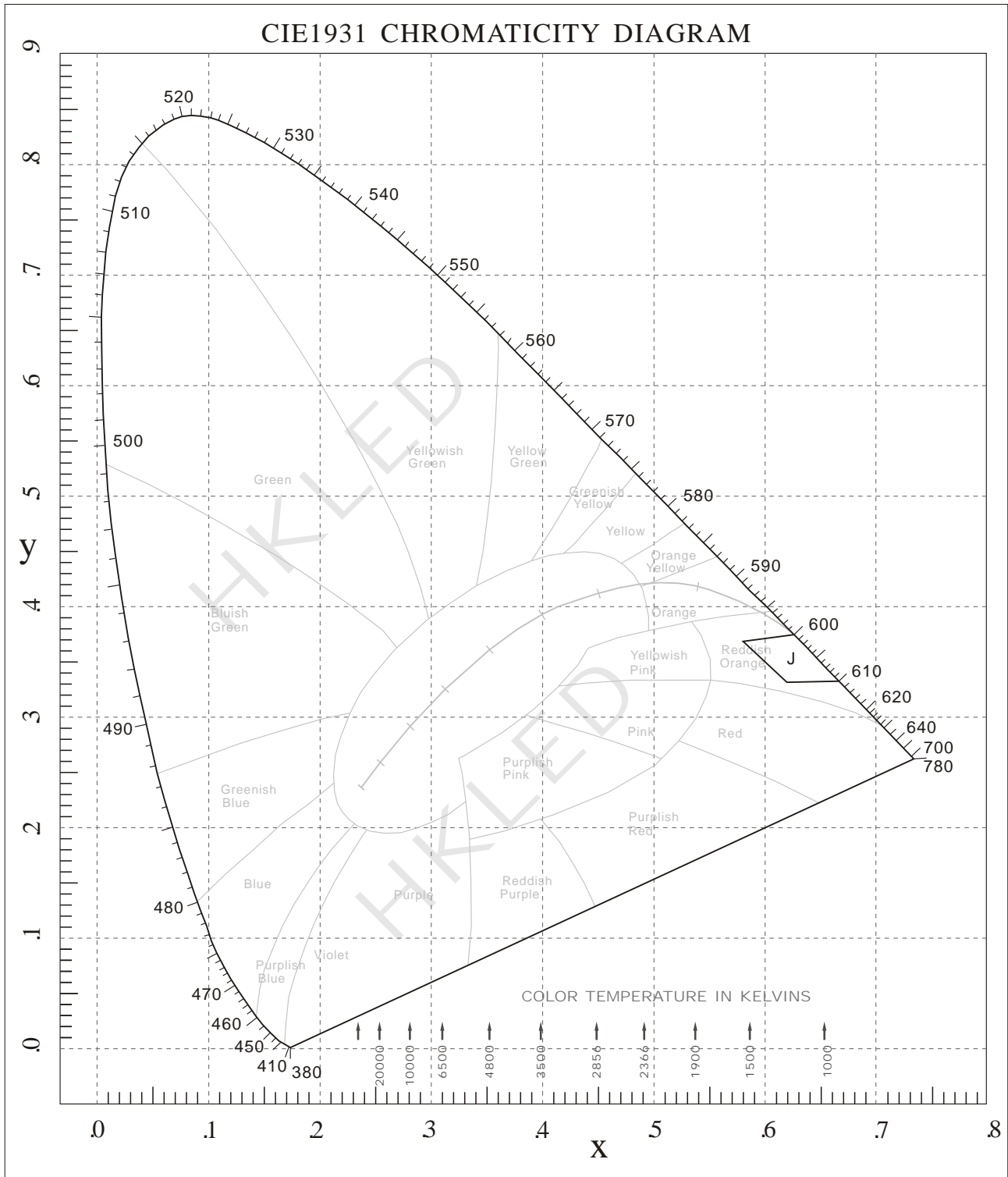
Luminous Intensity Rank		Viewing Angle 2θ½ (Deg.)							
Rank	I _v (mcd)			70			100		180
E	50– 70								
F	70– 100								
G	100– 150								
H	150– 200								
J	200– 300								
K	300– 430								
L	430– 600								
M	600– 850								



◆ Color Rank (Orange)

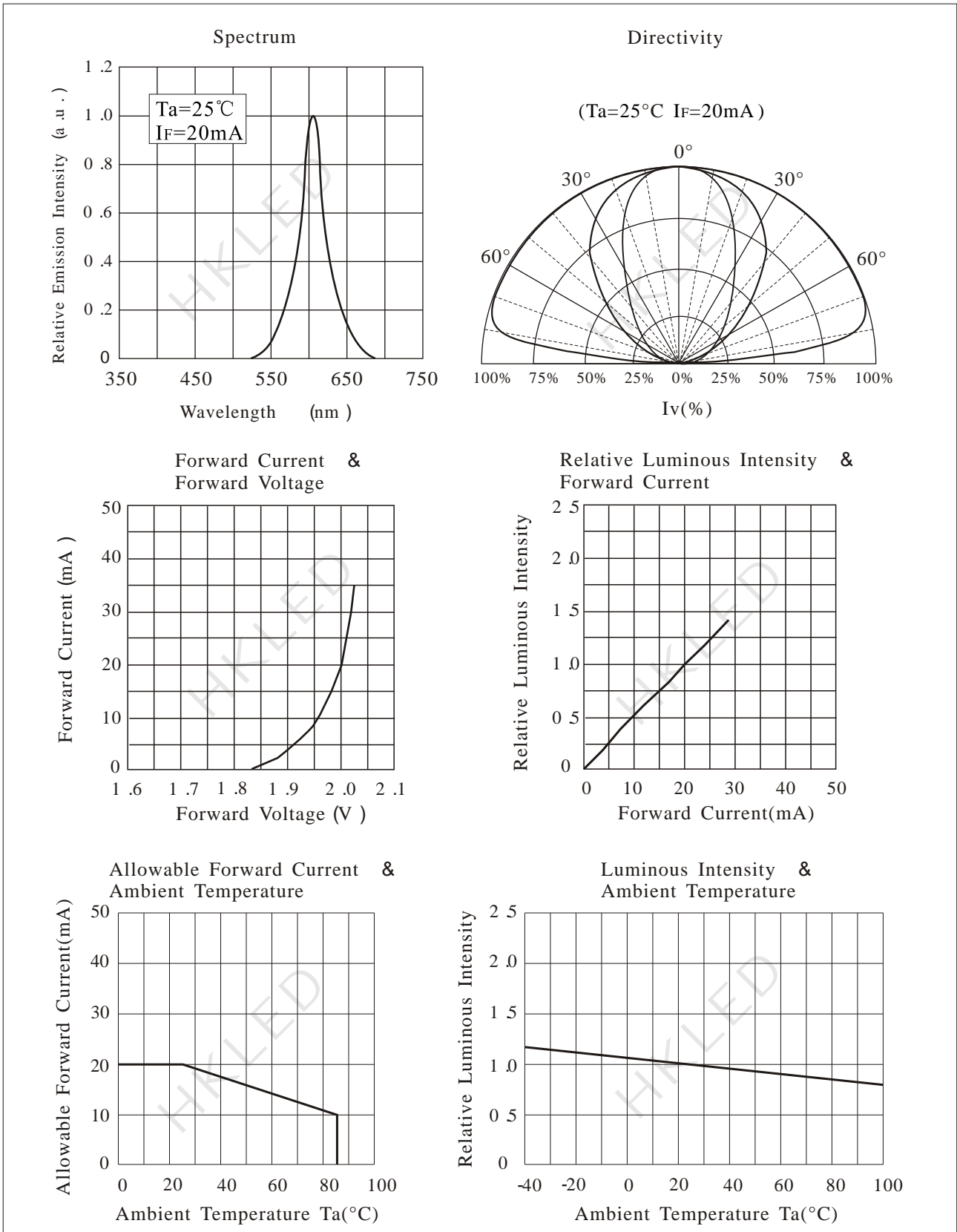
J	x	0.627	0.666	0.620	0.580
	y	0.372	0.334	0.334	0.370

λ_D (600nm~610nm)



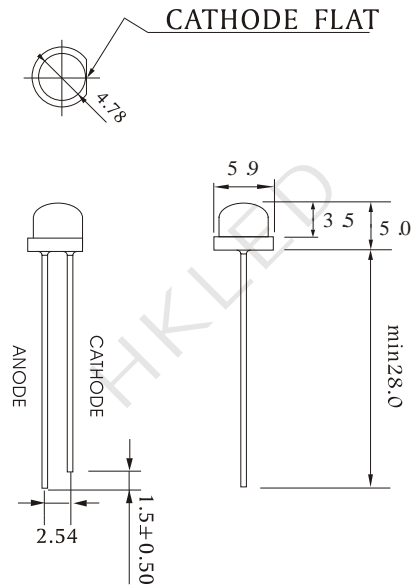
Color Coordinates Measurement allowance is ± 0.01

2. TYPICAL INITIAL OPTICAL/ELECTRICAL CHARACTERISTICS



3. OUTLINE DIMENSIONS AND MATERIALS

Package Dimensions



Notes:

1. All dimensions are in millimeters.
2. Tolerance is $\pm 0.25\text{mm}$ unless otherwise noted.
3. Protruded resin under flange is 1.0mm max.
4. Lead spacing is measured where the leads emerge from the package.
5. Specifications are subject to change without notice.

- ◆ Lens Color : Water Clear
- ◆ Emitting Color : Super Bright ORANGE
- ◆ Chip material : AlGaInP
- ◆ Resin(Mold) : Epoxy Resin
- ◆ Leadframe : Ag plating Iron