

SPECIFICATIONS FOR HANGKE WARM WHITE LED

杭科Φ5草帽白色LED产品规格书 (暖白系列)



Model : HK5H4ULC

HangZhou HangKe Electronics Co.,LTD.

Http : //www .hkled .com 杭科电子



1. SPECIFICATIONS

(1) Absolute Maximum Ratings

(Ta=25°C)

Item	Symbol	Absolute Maximum Rating	Unit
Forward Current	I _F	30	mA
Pulse Forward Current	I _{FP}	100	mA
Reverse Voltage	V _R	5	V
Power Dissipation	P _D	108	mW
Operating Temperature	T _{opr}	-30 ~ + 85	°C
Storage Temperature	T _{stg}	-40 ~ +100	°C
Soldering Temperature	T _{sld}	265°C for 3sec.	

IFP Conditions : Pulse Width 10msec. and Duty 0.1

(2) Initial Electrical/Optical Characteristics

(I_F=20mA Ta=25°C)

Forward Voltage	Reverse Current
V _F I _F =20[mA]	I _R V _R = 5[V]
Typ. 3.2 V Max. 3.6 V	Max. 10 μA

Correlated Color Temperature	
D	3800K-5600K
E	2500K-3800K

(3) Ranks (I_F=20mA Ta=25°C)

Luminous Intensity Rank		Viewing Angle 2θ _{1/2} (Deg.)							
Rank	I _v (mcd)				100	100	120	120	
H	350– 500								CCT
J	500– 700					CCT	CCT		E
K	700– 1000				CCT	E	D		
L	1000– 1400				D				
M	1400– 2000								
N	2000– 2800								

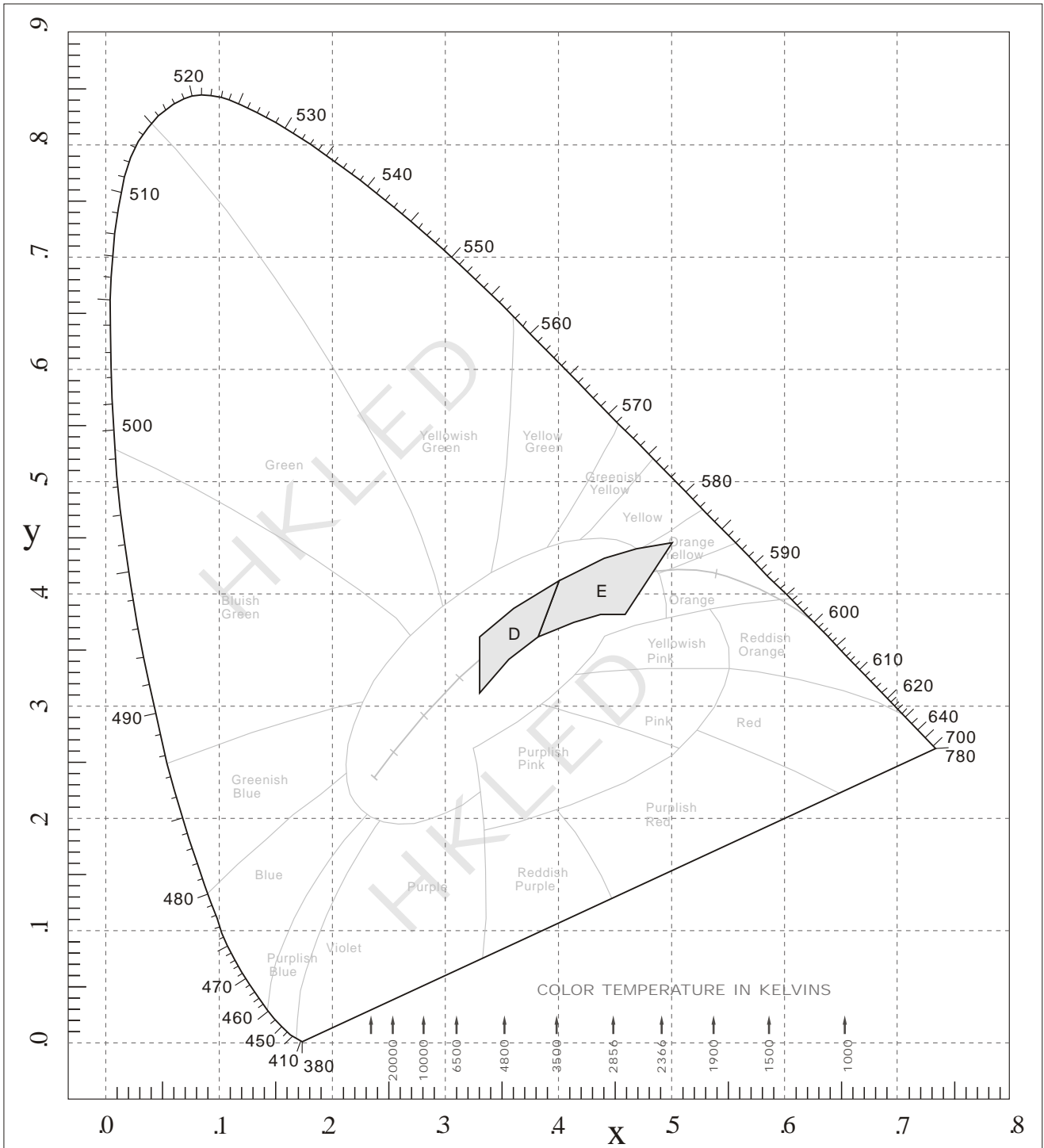


Color Rank (White)

D	x	0.330	0.361	0.399
	y	0.360	0.385	0.412
	x	0.330	0.356	0.382
	y	0.318	0.351	0.358

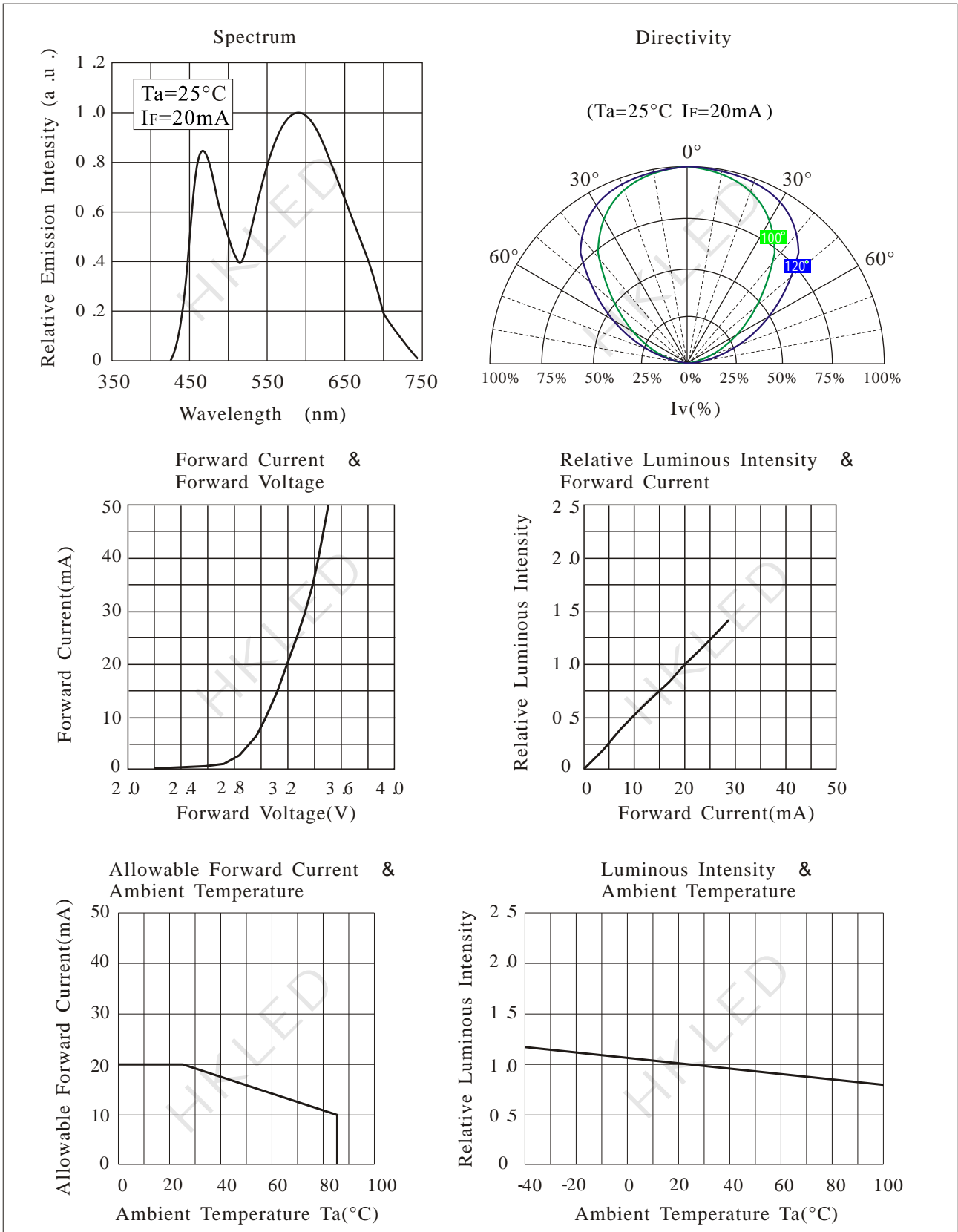
E	x	0.399	0.439	0.468	0.497
	y	0.412	0.431	0.439	0.447
	x	0.382	0.413	0.436	0.459
	y	0.358	0.373	0.379	0.384

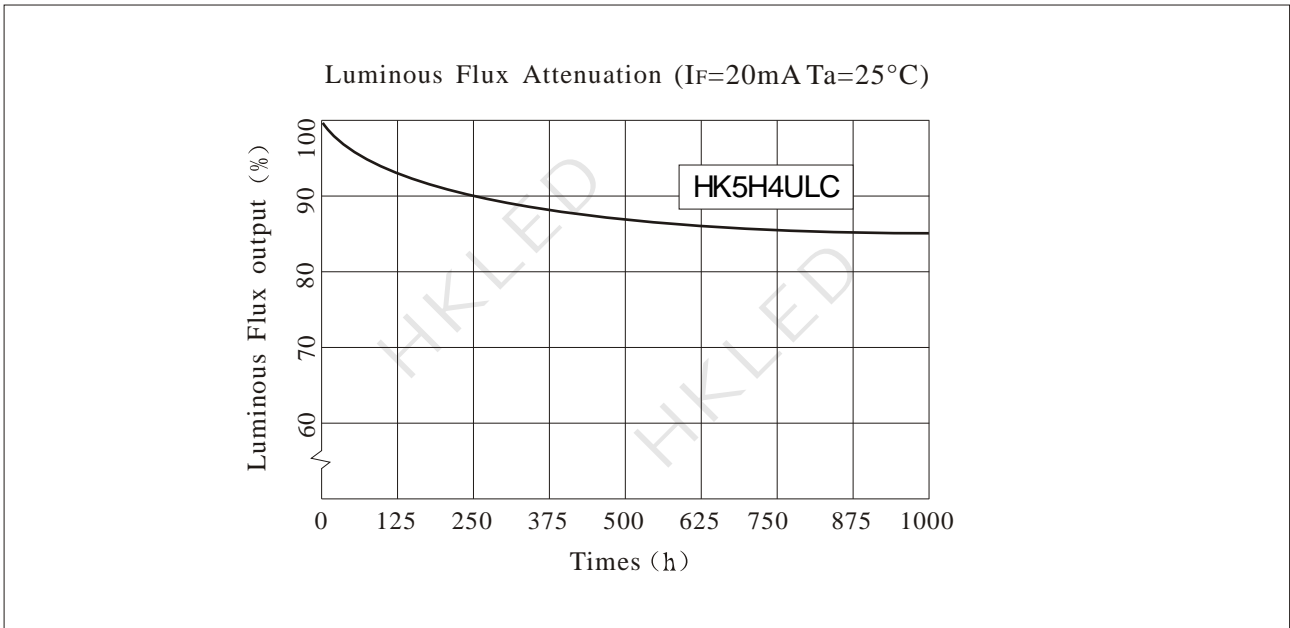
CIE1931 CHROMATICITY DIAGRAM



Color Coordinates Measurement allowance is ± 0.01

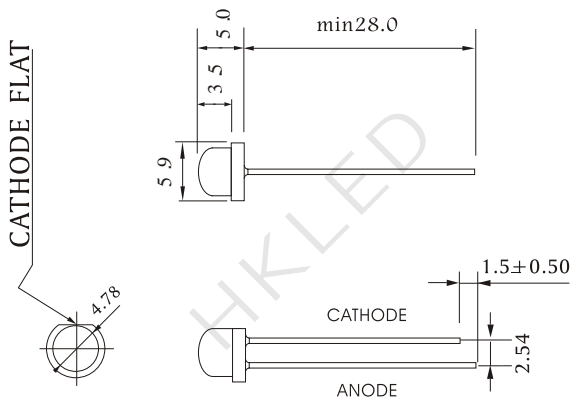
2. TYPICAL INITIAL OPTICAL/ELECTRICAL CHARACTERISTICS





3. OUTLINE DIMENSIONS AND MATERIALS

Package Dimensions



Notes:

1. All dimensions are in millimeters.
2. Tolerance is $\pm 0.25\text{mm}$ unless otherwise noted.
3. Protruded resin under flange is 1.0mm max.
4. Lead spacing is measured where the leads emerge from the package.
5. Specifications are subject to change without notice.

- ◆ Lens Color : Water Clear
- ◆ Emitting Color : Super Bright White
- ◆ Chip material : InGaN
- ◆ Resin(Mold) : Epoxy Resin
- ◆ Leadframe : Ag plating Iron