

# SPECIFICATIONS FOR HANGKE **GREEN** LED

## 杭科Φ5草帽绿色LED产品规格书



Model : HK5H4UGC

HangZhou HangKe Electronics Co.,LTD.

Http : //www .hkled .com 杭科电子



## 1.SPECIFICATIONS

### (1) Absolute Maximum Ratings

(Ta=25°C)

Item	Symbol	Absolute Maximum Rating	Unit
Forward Current	I <sub>F</sub>	30	mA
Pulse Forward Current	I <sub>FP</sub>	100	mA
Reverse Voltage	V <sub>R</sub>	5	V
Power Dissipation	P <sub>D</sub>	105	mW
Operating Temperature	T <sub>opr</sub>	-30 ~ + 85	°C
Storage Temperature	T <sub>stg</sub>	-40 ~ +100	°C
Soldering Temperature	T <sub>sld</sub>	265°C for 3sec.	

IFP Conditions : Pulse Width 10msec. and Duty 0.1

### (2) Initial Electrical/Optical Characteristics

(I<sub>F</sub>=20mA Ta=25°C)

Forward Voltage	Reverse Current
V <sub>F</sub> I <sub>F</sub> =20[mA]	I <sub>R</sub> V <sub>R</sub> = 5[V]
Typ. 3.2 V Max. 3.6 V	Max. 10 μA

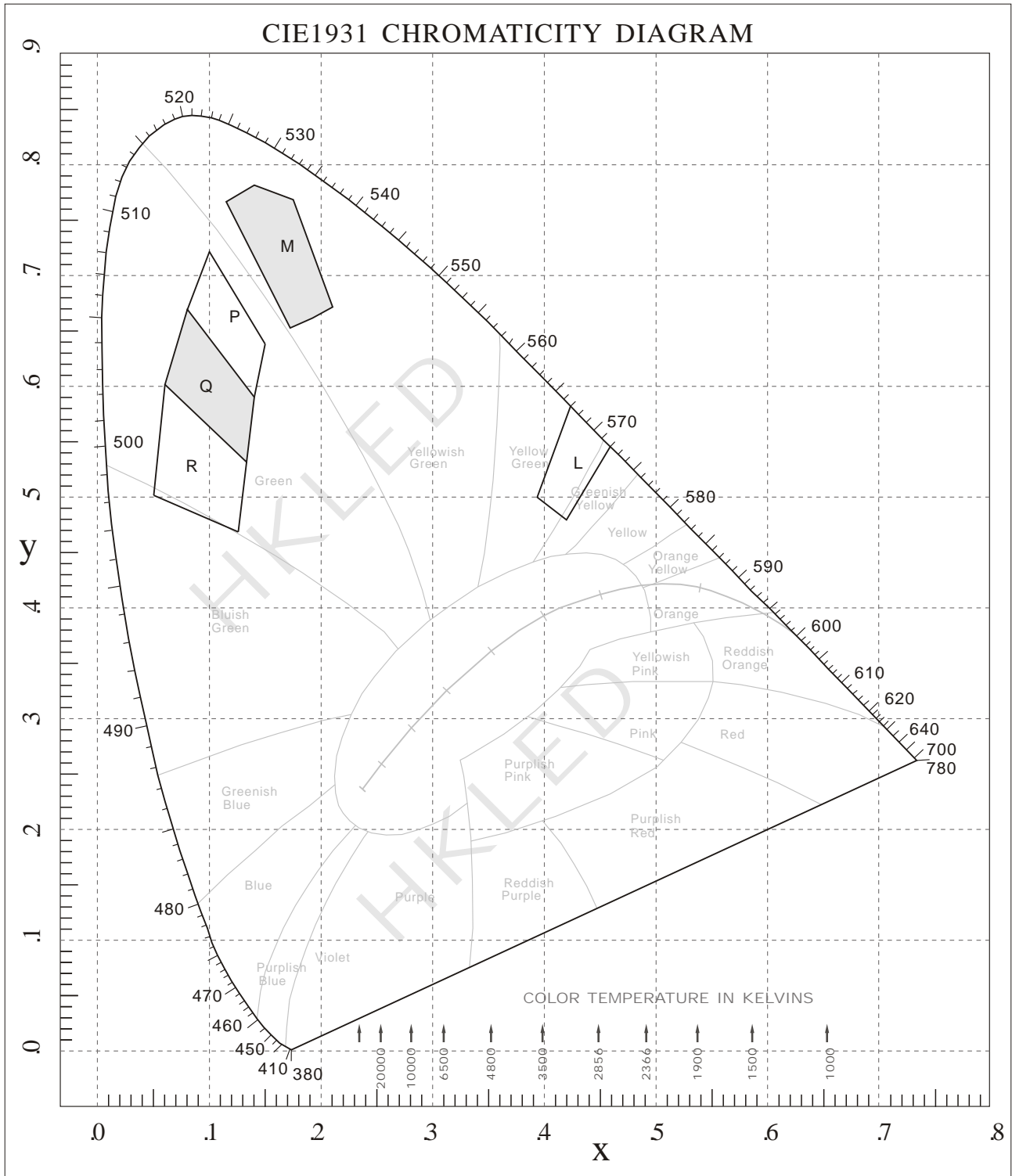
Dominant Wavelength λ <sub>D</sub> (nm) Typ.	Peak Wavelength λ <sub>P</sub> (nm) Typ.
505	500
525	520

### (3) Ranks (I<sub>F</sub>=20mA Ta=25°C)

Luminous Intensity Rank		Viewing Angle 2θ <sup>1</sup> / <sub>2</sub> (Deg.)							
Rank	I <sub>v</sub> (mcd)		45				100		180
H	350– 500								
J	500– 700								
K	700– 1000								
L	1000– 1400								
M	1400– 2000								
N	2000– 2800								
P	2800– 4000								
Q	4000– 5500								

◆ Color Rank (Green)

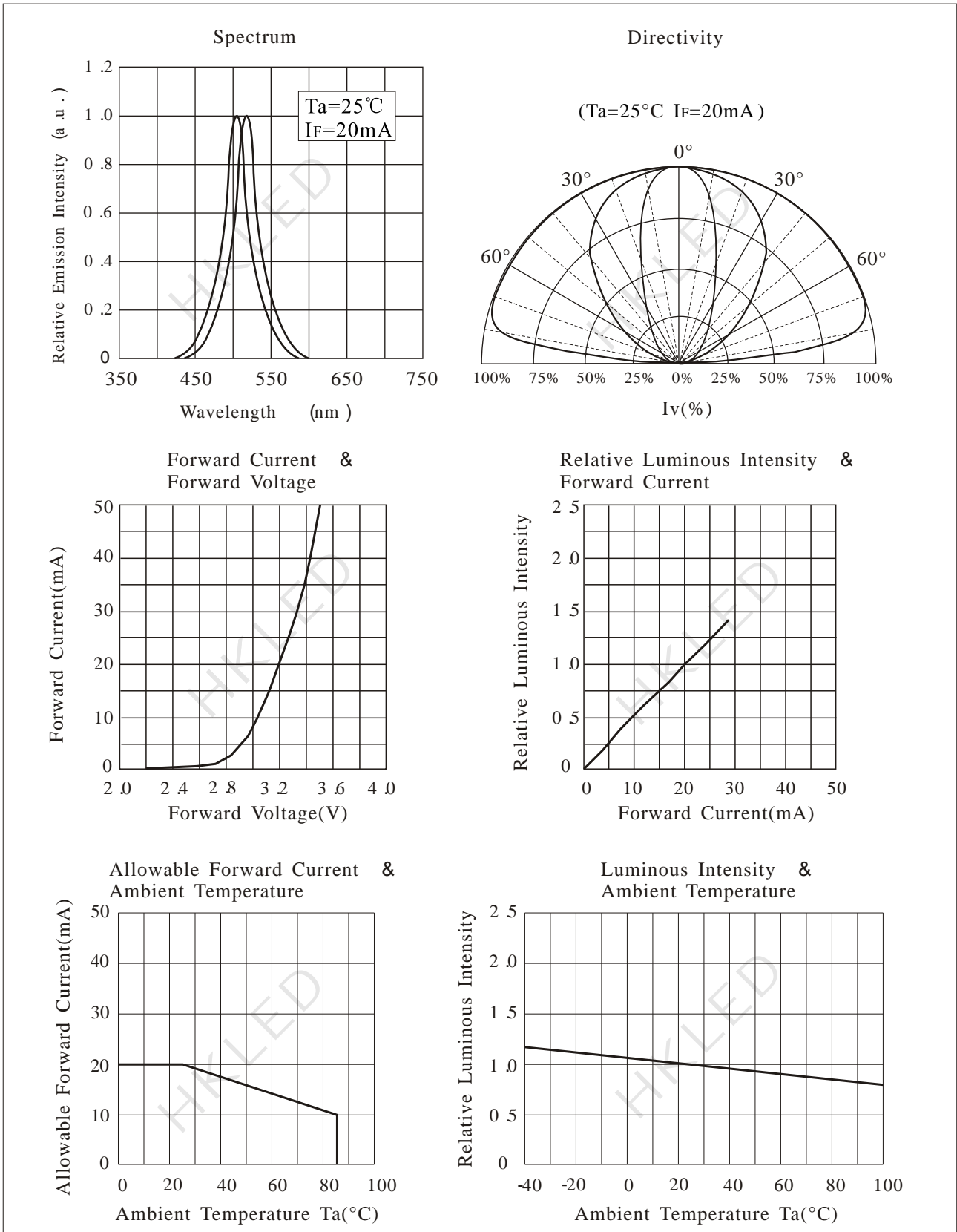
M	x	0.173	0.193	0.212	0.176	0.142	0.116
	y	0.653	0.662	0.672	0.770	0.782	0.767
P	x	0.082	0.141	0.151	0.101		
	y	0.670	0.592	0.638	0.723		
Q	x	0.062	0.134	0.141	0.082		
	y	0.602	0.533	0.592	0.670		
L	x	0.523	0.458	0.421	0.395		
	y	0.576	0.541	0.395	0.500		
R	x	0.050	0.127	0.134	0.062		
	y	0.502	0.470	0.533	0.602		



Color Coordinates Measurement allowance is  $\pm 0.01$

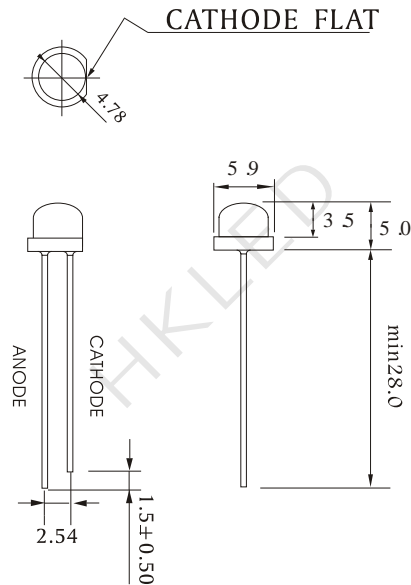


## 2.TYPICAL INITIAL OPTICAL/ELECTRICAL CHARACTERISTICS



### 3. OUTLINE DIMENSIONS AND MATERIALS

#### Package Dimensions



#### Notes:

1. All dimensions are in millimeters.
2. Tolerance is  $\pm 0.25\text{mm}$  unless otherwise noted.
3. Protruded resin under flange is 1.0mm max.
4. Lead spacing is measured where the leads emerge from the package.
5. Specifications are subject to change without notice.

- ◆ Lens Color : Water Clear
- ◆ Emitting Color : Super Bright GREEN
- ◆ Chip material : InGaN
- ◆ Resin(Mold) : Epoxy Resin
- ◆ Leadframe : Ag plating Iron