

---

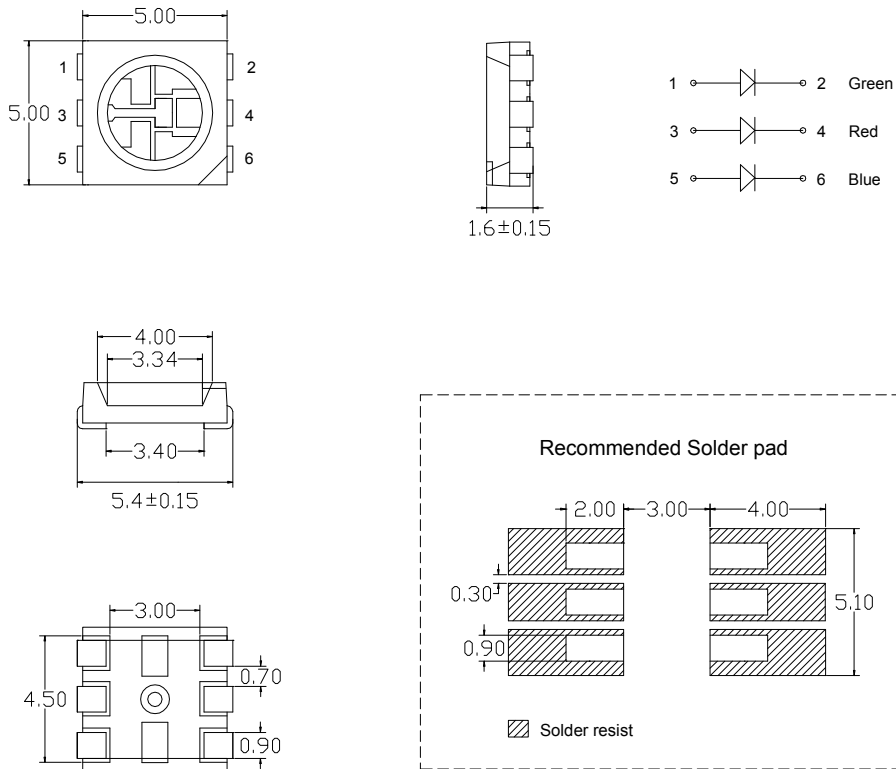
## Full color TOP LED (5050)

### Lead(Pb) Free Product-ROHS Compliant

#### ■ Applications

1. Indoor displays (e.g. graphic displays)
2. Backlighting (LCD, switches, keys, displays, illuminated advertising, general lighting)
3. RGB-Displays
4. Toys

#### ■ Package Dimensions:(Units:mm)



#### Notes:

All dimensions in mm tolerance is  $\pm 0.1$ mm unless otherwise noted.

■ Absolute Maximum Ratings (Ta = 25°C)

Items	Symbol	Absolute maximum Rating		Unit
		Red	Green/Blue	
Power Dissipation	P <sub>D</sub>	80	100	mW
Forward Current(DC)*	I <sub>F</sub>	30	30	mA
Peak Forward Current**	I <sub>FP</sub>	100	100	mA
Operation Temperature	T <sub>opr</sub>	-40~ +95		°C
Storage Temperature	T <sub>stg</sub>	-40 ~ +100		°C

\*The Value is for one LED Circuit .For long term performance the drive currents between 5mA and 20mA are recommended(Three circuits are lit simultaneously).

\*\*Pulse width ≤ 0.1msec duty ≤ 1/10

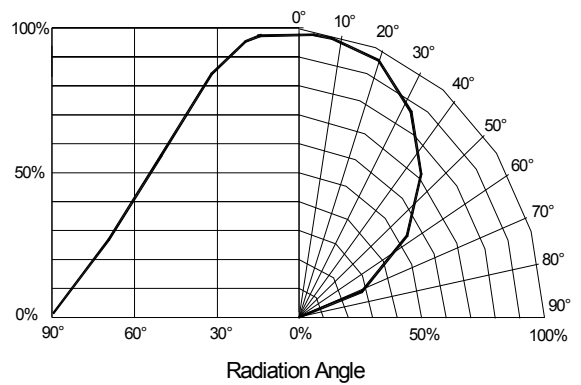
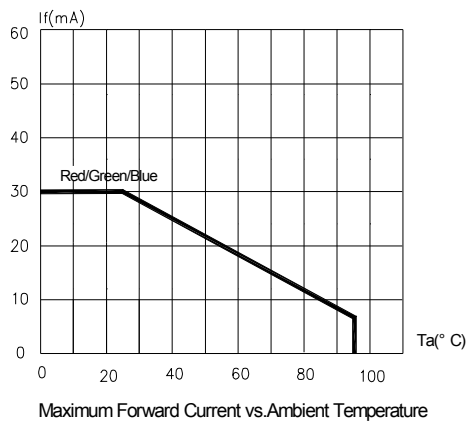
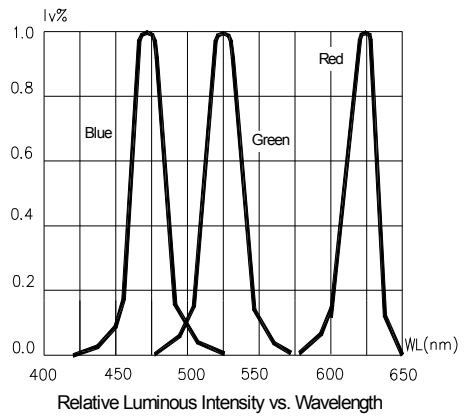
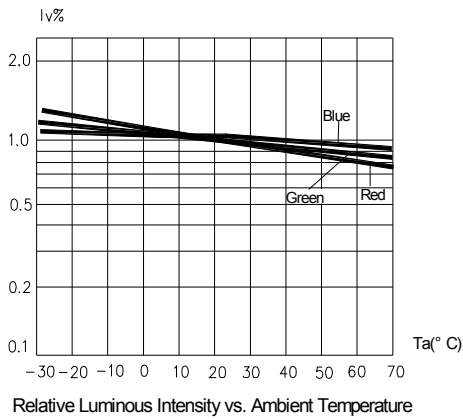
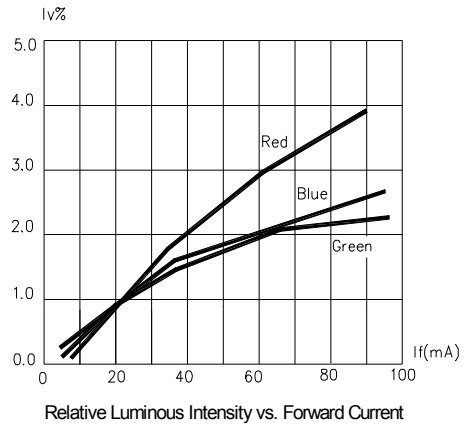
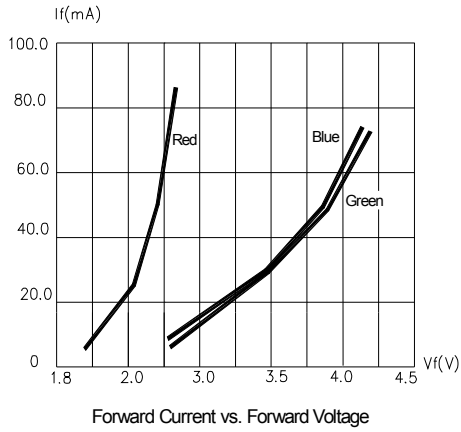
■ Typical Electrical & Optical Characteristics (IF=20mA and Ta = 25°C)

Color	Codition	Dominant Wavelength (nm)		Forward Voltage (v)		Luminous Intensity (mcd)		Reverse Current (μ A)	50% Power Angle
		Min.	Typ.	Min.	Typ.	Min.	Typ.	Max.	Typ.
Red	IF=20mA	620	625	1.6	2.0	450	650	10	120
Green		520	525	2.8	3.2	703	1000	50	
Blue		465	470	2.8	3.2	185	280	50	

■ Notes

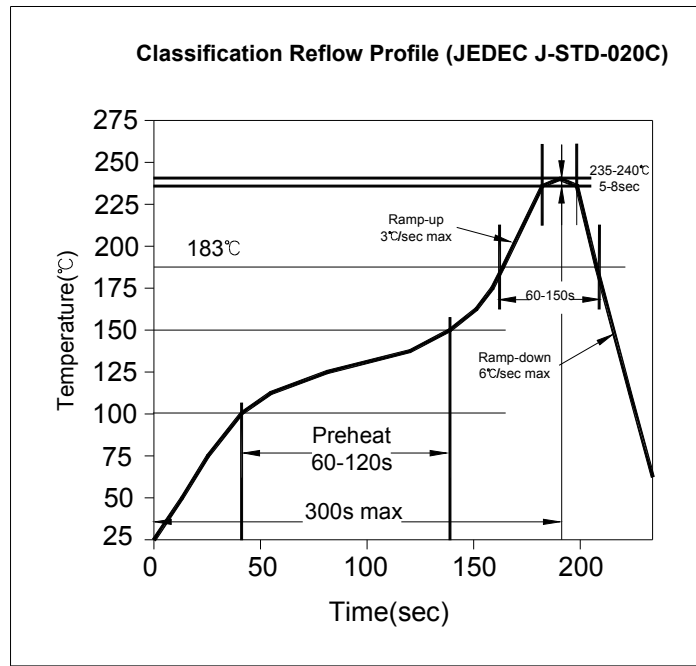
1. Dominant Wavelength Rank:R:3nm/bin G/B:3nm/bin  
Luminous Intensity Rank :1.25double/bin.
2. Tolerance of measurement of luminous intensity : ±10%
3. Tolerance of measurement of dominant wavelength : ±0.5nm
4. Tolerance of measurement of forward voltage : ±0.05V

■ Typical Electrical/ Optical Characteristics Curves (Ta=25°C Unless Otherwise Noted)

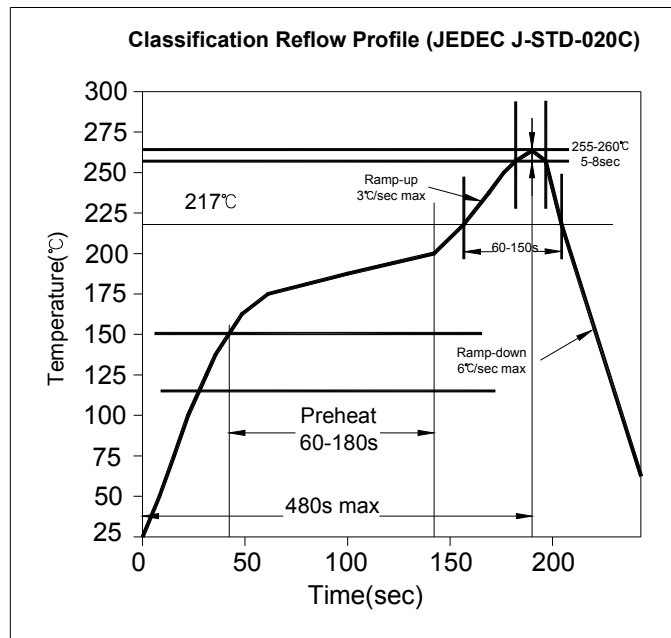


■ Soldering heat reliability:

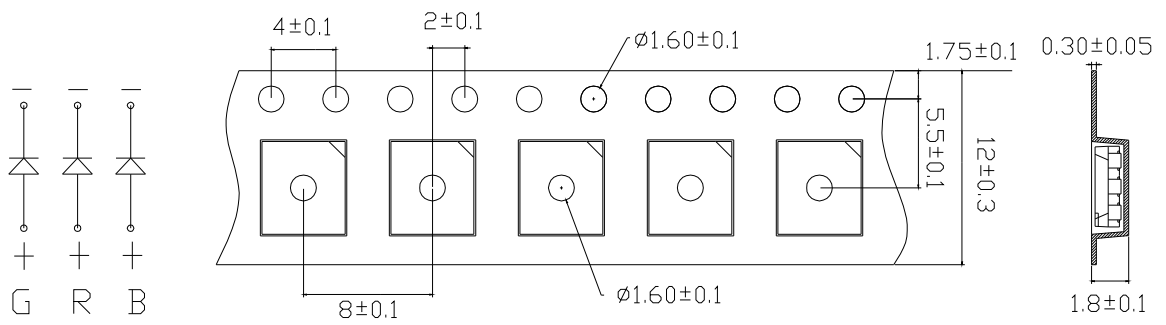
**Lead Solder**



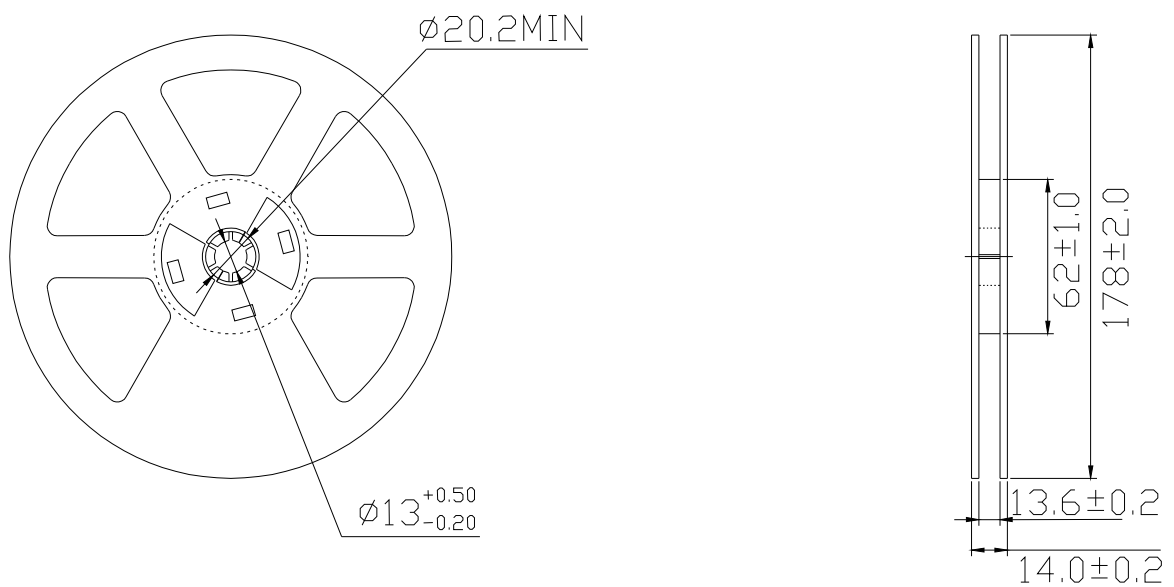
**Lead Free Solder**



■ Packing Specifications: (Units:mm)



■ Reel Specifications:(Units:mm)



Dimensions are specified as follows:mm

**Notes:**

Normal packing quantity: 1,000pcs/reel