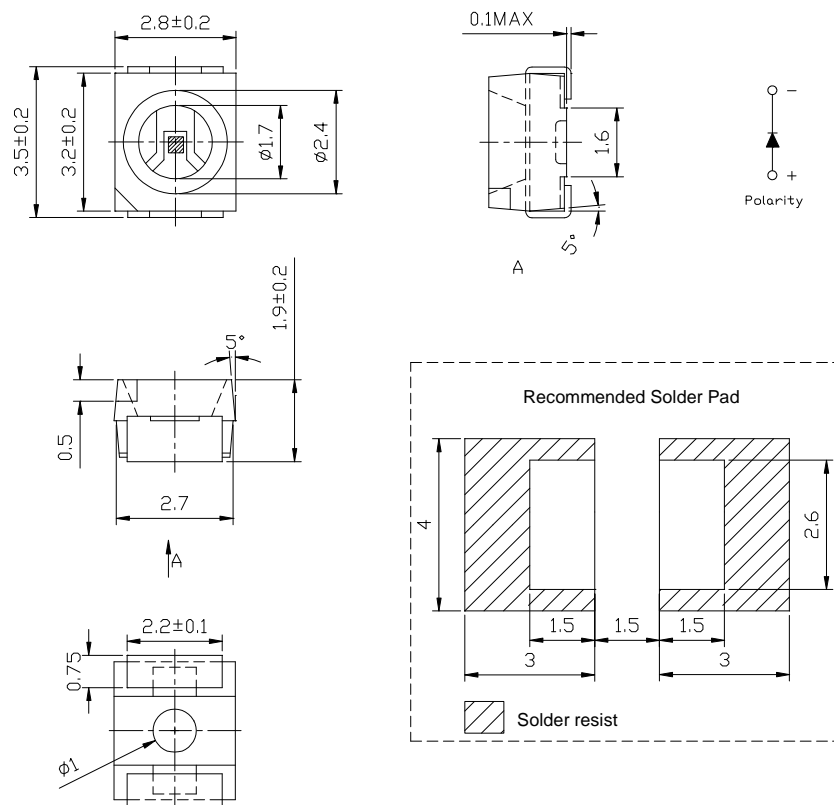

Yellow TOP LED (1210)

Lead(Pb) Free Product-ROHS Compliant

■ Applications

1. Lightings
2. Modules
3. Signal and Symbol Luminaires
4. Backlighting
5. Toys

■ Package Dimensions



Notes:

All dimensions in mm tolerance is ± 0.1 mm unless otherwise noted.

■ Absolute Maximum Ratings (Ta = 25°C)

Items	Symbol	Absolute maximum Rating	Unit
Power Dissipation	P _D	80	mW
Forward Current(DC)	I _F	30	mA
Peak Forward Current*	I _{FP}	100	mA
Operation Temperature	T _{opr}	-40 ~ +95	°C
Storage Temperature	T _{stg}	-40 ~ +100	°C

*Pulse width ≤ 0.1 msec duty $\leq 1/10$

■ Typical Electrical & Optical Characteristics (IF=20mA and Ta = 25°C)

Part No	Dominant Wavelength (nm)		Forward Voltage (v)		Luminous Intensity (mcd)		Reverse Current (μ A)	50% Power Angle
	Min.	Typ.	Min.	Typ.	Min.	Typ.	Max.	Typ.
3528YCE0	586	590	1.8	2.0	450	560	10	120

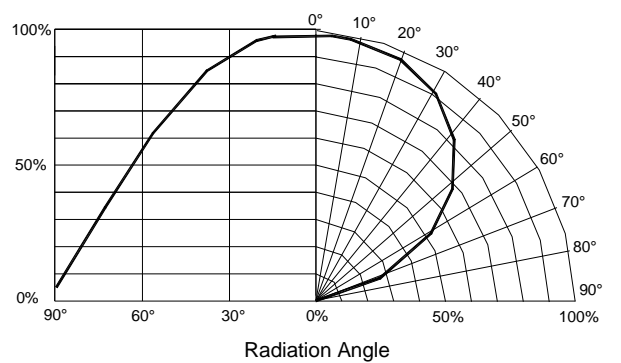
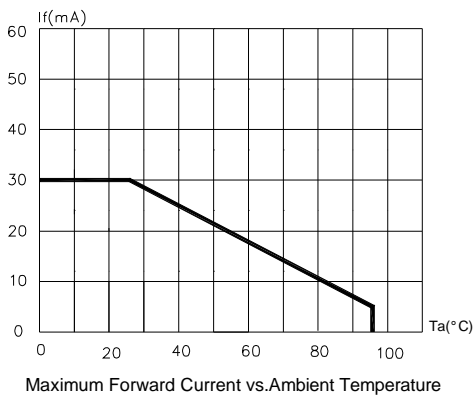
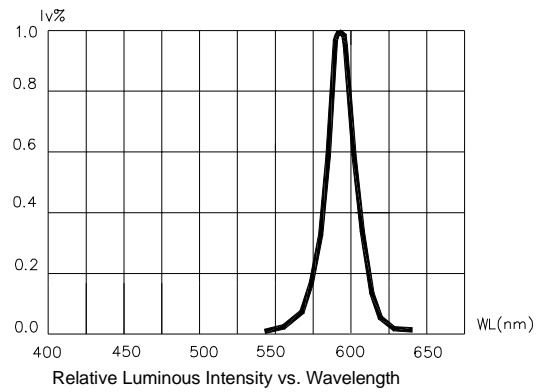
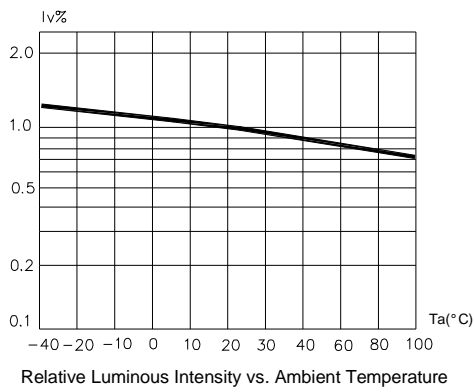
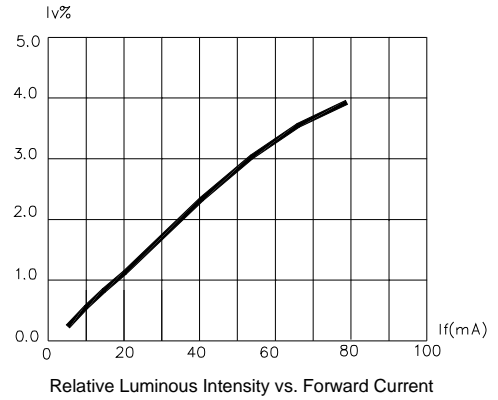
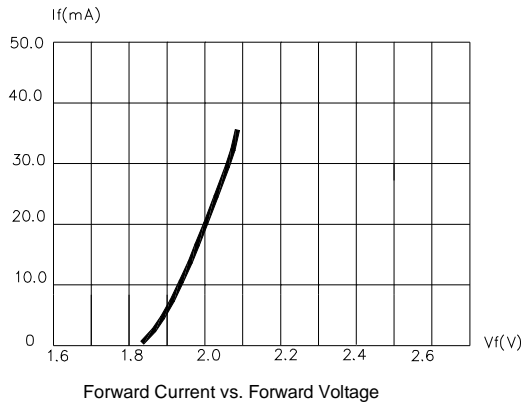
■ Ranks Combination (IF = 20mA)

Rank	Q2	R1	R2
Luminous Intensity(mcd)	450-563	563-703	703-878

■ Notes

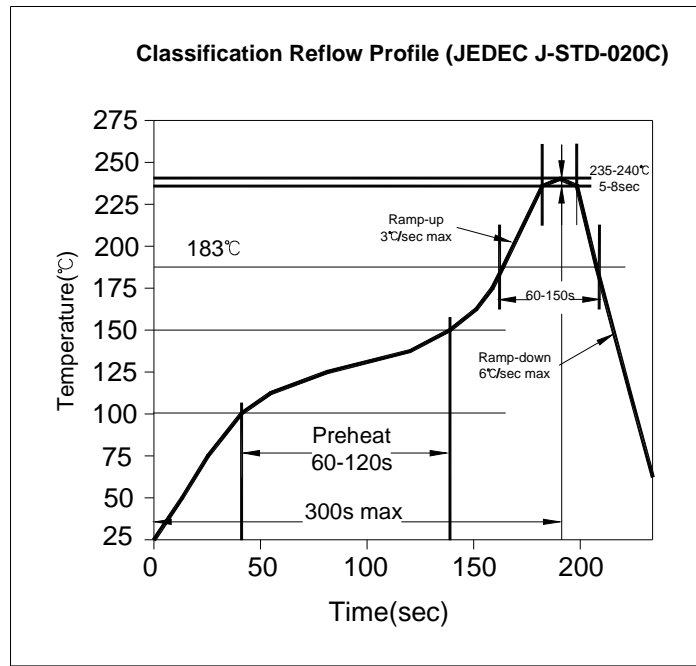
1. Tolerance of measurement of luminous intensity : $\pm 15\%$
2. Tolerance of measurement of dominant wavelength : ± 1.0 nm
3. Tolerance of measurement of forward voltage : ± 0.1 V

■ Typical Electrical/ Optical Characteristics Curves (Ta=25°C Unless Otherwise Noted)

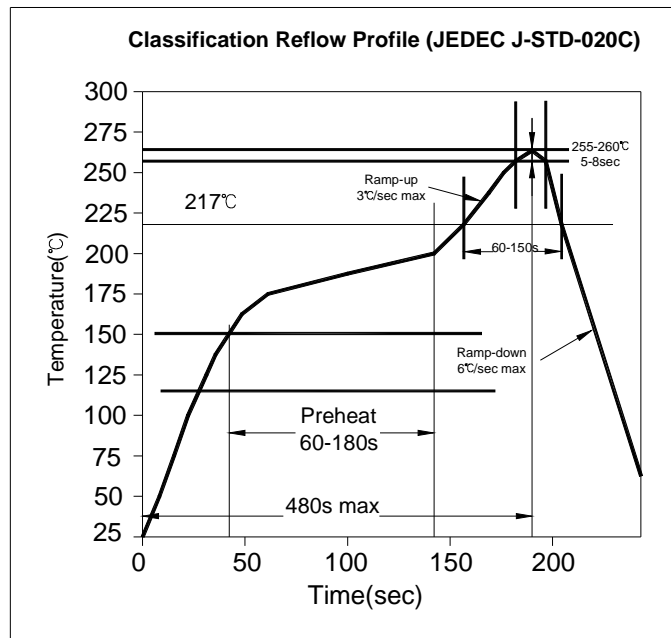


■ Soldering heat reliability:

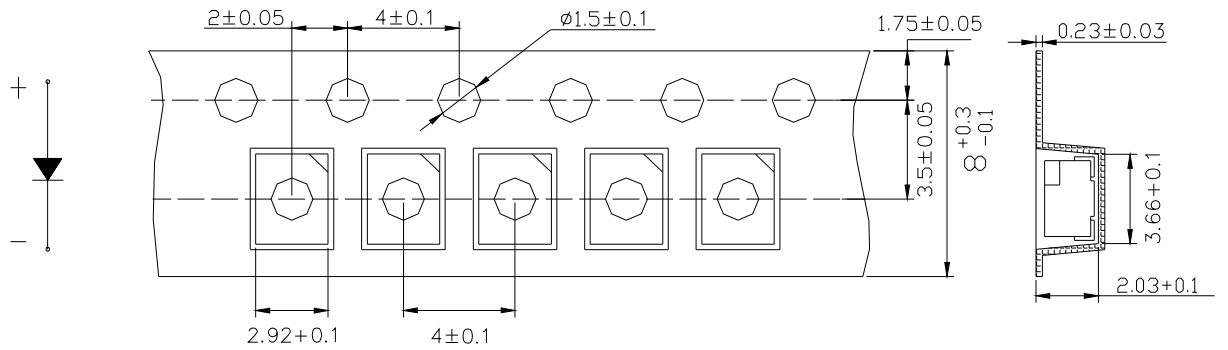
Lead Solder



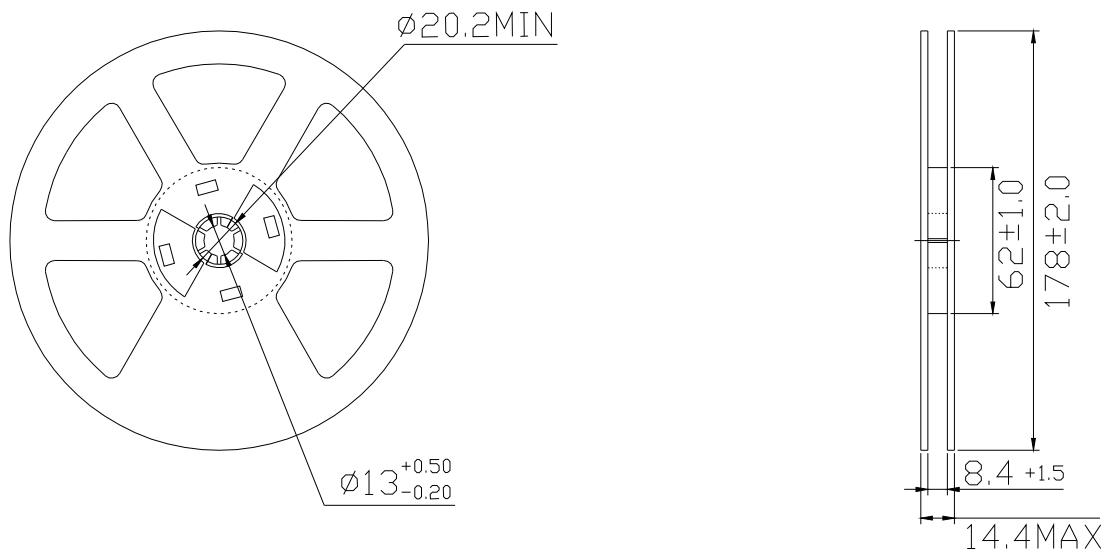
Lead Free Solder



■ Packing Specifications:



■ Reel Specifications



Dimensions are specified as follows: mm

Notes:

Normal packing quantity: 2,000 pcs/reel