

---

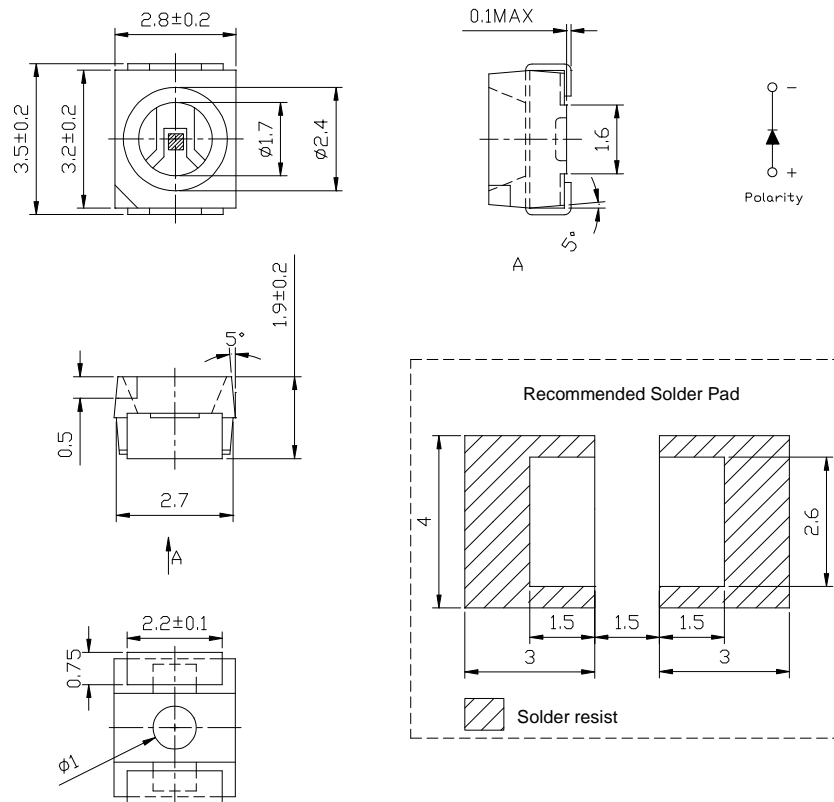
## Red TOP LED (1210)

### Lead(Pb) Free Product-ROHS Compliant

#### ■ Applications

1. Lightings
2. Modules
3. Signal and Symbol Luminaires
4. Backlighting
5. Toys

#### ■ Package Dimensions



#### Notes:

All dimensions in mm tolerance is  $\pm 0.1$  mm unless otherwise noted.

■ Absolute Maximum Ratings (Ta = 25°C)

Items	Symbol	Absolute maximum Rating	Unit
Power Dissipation	P <sub>D</sub>	80	mW
Forward Current(DC)	I <sub>F</sub>	30	mA
Peak Forward Current*	I <sub>FP</sub>	100	mA
Operation Temperature	T <sub>opr</sub>	-40 ~ +95	°C
Storage Temperature	T <sub>stg</sub>	-40 ~ +100	°C

\*Pulse width  $\leq 0.1$ msec duty  $\leq 1/10$

■ Typical Electrical & Optical Characteristics ( IF=20mA and Ta = 25°C)

Part No	Dominant Wavelength (nm)		Forward Voltage (v)		Luminous Intensity (mcd)		Reverse Current ( $\mu$ A)	50% Power Angle
	Min.	Typ.	Min.	Typ.	Min.	Typ.	Max.	Typ.
LZ-3528RCE0	<b>620</b>	<b>625</b>	<b>1.8</b>	<b>2.0</b>	<b>450</b>	<b>560</b>	<b>10</b>	<b>120</b>

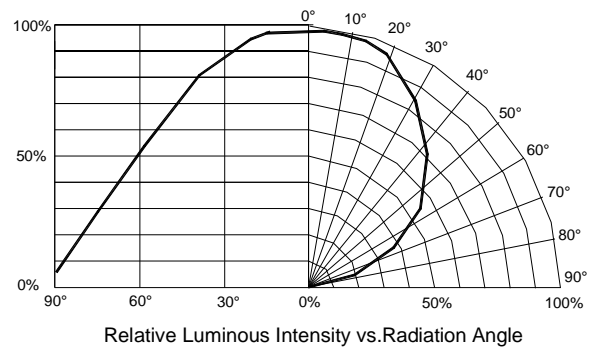
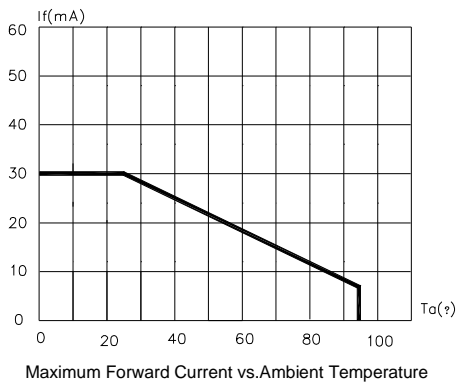
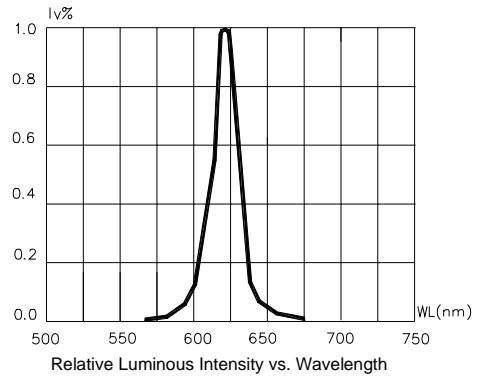
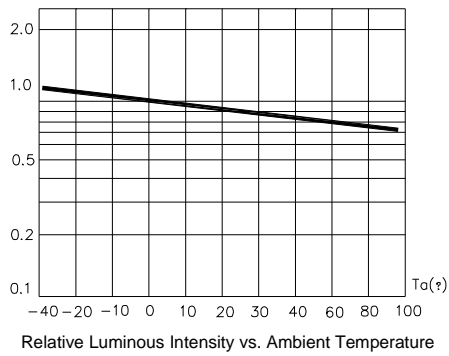
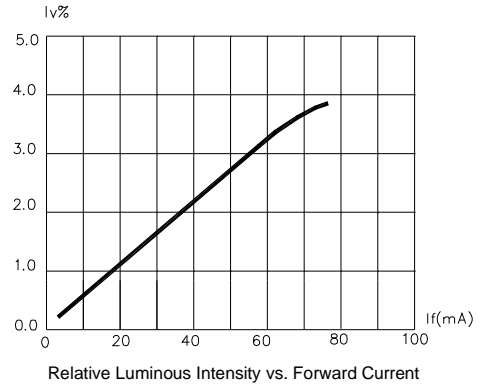
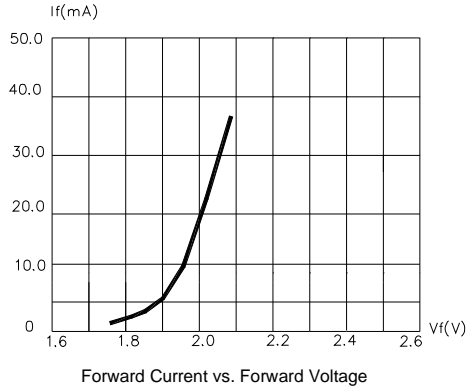
■ Ranks Combination (IF = 20mA)

Rank	Q2	R1	R2
Luminous Intensity(mcd)	450-563	563-703	703-878

■ Notes

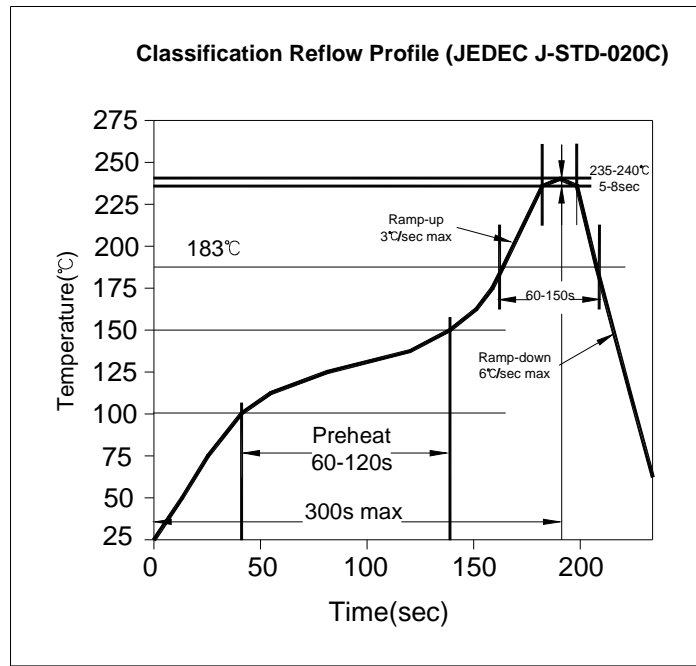
1. Tolerance of measurement of luminous intensity :  $\pm 15\%$
2. Tolerance of measurement of dominant wavelength :  $\pm 1.0$ nm
3. Tolerance of measurement of forward voltage :  $\pm 0.1$ V

■ Typical Electrical/ Optical Characteristics Curves (Ta=25°C Unless Otherwise Noted)

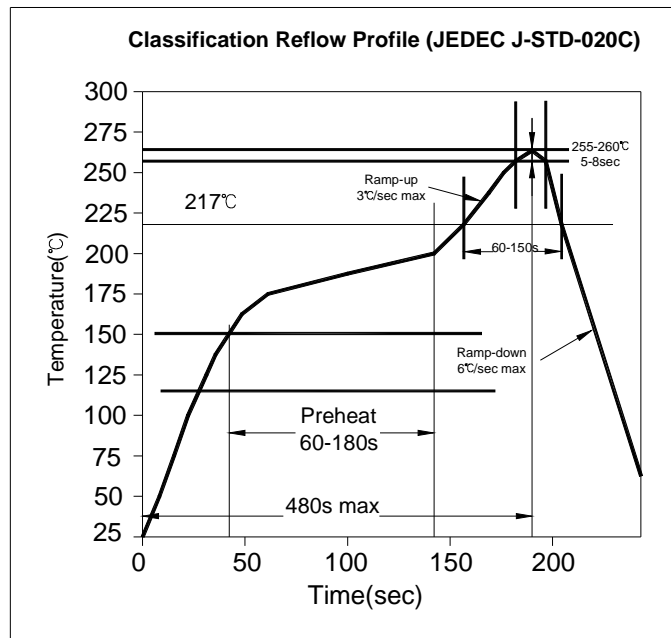


■ Soldering heat reliability:

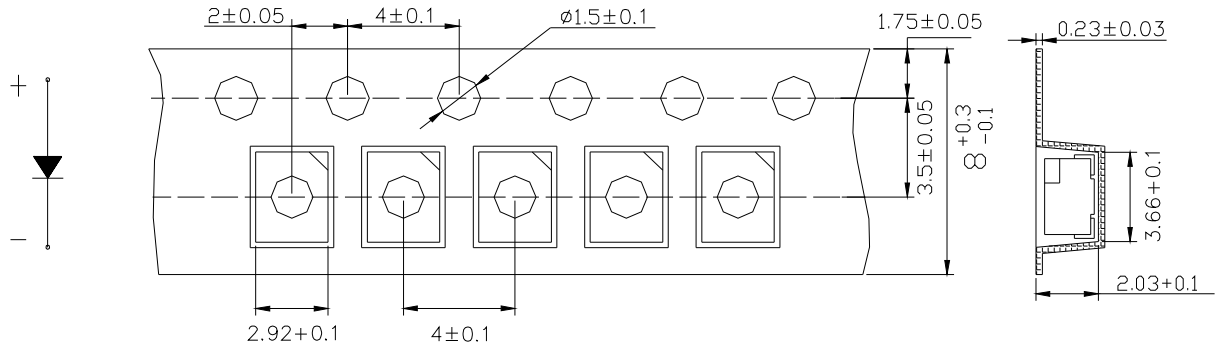
**Lead Solder**



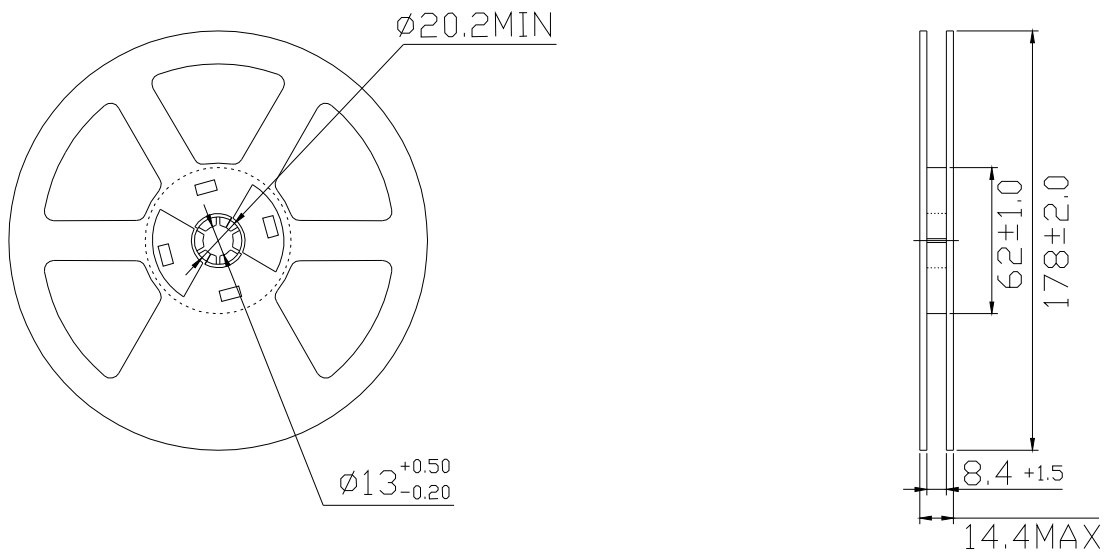
**Lead Free Solder**



■ Packing Specifications:



■ Reel Specifications



**Notes:** Dimensions are specified as follows: mm

Normal packing quantity: 2,000 pcs/reel